

Coils - Connectors

RE 18325-90/12.10 1/10
Replaces: RE 18325-90/02.10

Coils
Connectors



Summary

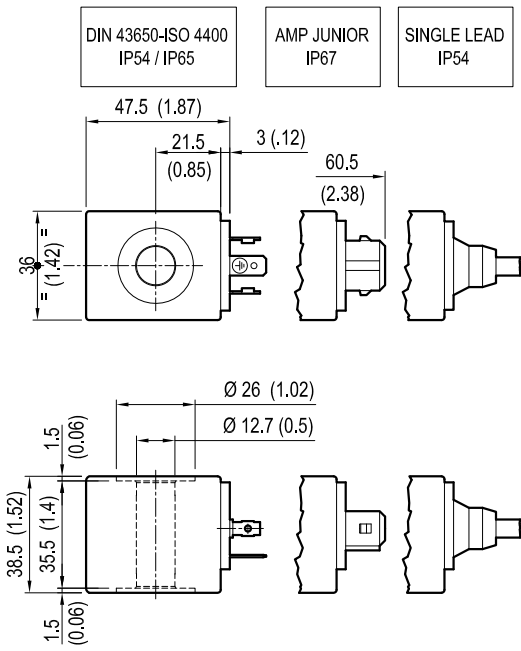
Description	Page
Coils	
Coil S8-356 - CLASS H - 20 W	2-3
Coil S8-356 - CLASS H - 17 W	4
Coil S5 - CLASS H	5
Coil S7 - CLASS H - 30 W	6
Coil S7 - CLASS H - 26 W	7
Coil R5 - CLASS H	8
Coil R7 - CLASS H	9

Description	Page
Connectors	
Connector IP67	10-11

Coils - Connectors

COIL S8-356 - CLASS H - 20 W

OD.02.17 - X - Y - Z



[mm / Inches]

TECHNICAL DATA

Weight: 0.18 kg (0.40 lbs)

Heat insulation Class H: 180°C (356°F)

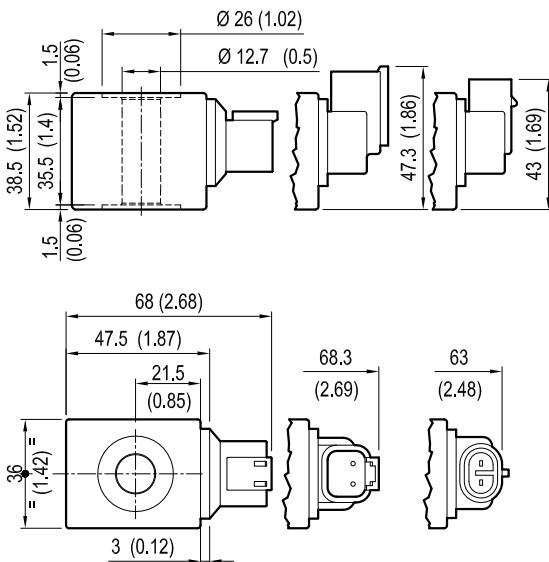
Ambient temperature range: -30/+60°C (-22/+140°F)

Inlet voltage fluctuations must not exceed ±10% of nominal voltage to obtain correct operation and long life coils.

X	Y	Connections	Circuit	Voltage
01	30	DIN 43650 - ISO 4400	Standard	DC-RAC
07	30	AMP JUNIOR	Standard	DC
0G	03	SINGLE LEAD	Standard	DC *
14	30	DIN 43650 - ISO 4400	Bidirectional Diode	DC
15	30	AMP JUNIOR	Bidirectional Diode	DC
0H	03	SINGLE LEAD	Bidirectional Diode	DC *

* Length 300mm (11.8 inches). Ext. diameter 6.3mm (0.25 inches). External and internal Sheath Silicone rubber.

Z	Voltage V	Resistance Ohm (±7%)	Power W	Current A		ΔT °C (°F)
	Nominal	Ta = 20-25°C (68-77°F)	Cold coil	Cold coil	Hot coil	1 hour energized at Ta=20-25°C (68-77°F) Nominal voltage
OB	12 DC	7.2	20	1.7	1.2	105-110 (221-230)
OG	14 DC	9.0	20	1.6	1.1	
OC	24 DC	28.2	20	0.9	0.6	
AC	26 DC	33.6	20	0.8	0.5	
OV	24 RAC	23.1	20	0.9	-	110-125 (230-257)
OW	110 RAC	478.3	20	0.2	-	
OZ	220 RAC	1919.9	20	0.1	-	



[mm / Inches]

X	Y	Connections	Circuit	Voltage
20	30	DEUTSCH DT04-2P-L	Standard	DC
20	3P	DEUTSCH DT04-2P-V	Standard	DC
30	3P	AMP SUPERSEAL-V	Standard	DC
22	30	DEUTSCH DT04-2P-L	Bidirectional Diode	DC
22	3P	DEUTSCH DT04-2P-V	Bidirectional Diode	DC
32	3P	AMP SUPERSEAL-V	Bidirectional Diode	DC

Z	Voltage V	Resistance Ohm (±7%)	Power W	Current A		ΔT °C (°F)
	Nominal	Ta = 20-25°C (68-77°F)	Cold coil	Cold coil	Hot coil	1 hour energized at Ta=20-25°C (68-77°F) Nominal voltage
OB	12 DC	7.2	20	1.7	1.2	105-110 (221-230)
OC	24 DC	28.2	20	0.9	0.6	
AC	26 DC	33.6	20	0.8	0.5	

These coils have passed the THERMAL SHOCK DUNK TEST

Coils - Connectors

Preferred types (readily available)

Type	Material number
OD02170130AC00	R901058832
OD02170130OB00	R901090821
OD02170130OC00	R901083065
OD02170130OG00	R901144215
OD02170130OV00	R901090820
OD02170130OW00	R901087981
OD02170130OZ00	R901085466
OD02170730AC00	R934000494
OD02170730OB00	R901094604
OD02170730OC00	R901094607
OD02170730OG00	R934000498
OD02170G03OB00	R901100773
OD02170G03OC00	R901100775
OD02171430OB00	R901131889
OD02171430OC00	R901121821
OD02171530AC00	R901133139

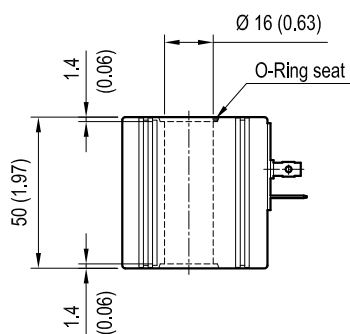
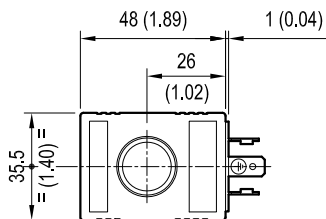
Type	Material number
OD02171530OB00	R901111032
OD02171530OC00	R901125292
OD02172030OB00	R901094609
OD02172030OC00	R901094611
OD0217203PAC00	R934000509
OD0217203POB00	R901110014
OD0217203POC00	R901110015
OD02172230OB00	R901130433
OD02172230OC00	R901130401
OD02172230OG00	R934003033
OD0217223POB00	R901120671
OD0217223POC00	R901114602
OD0217303PAC00	R934000516
OD0217303POB00	R901110016
OD0217323POB00	R934000519

Further types available by request

Coils - Connectors

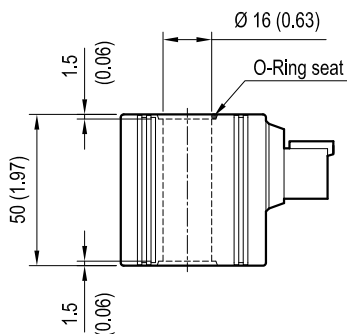
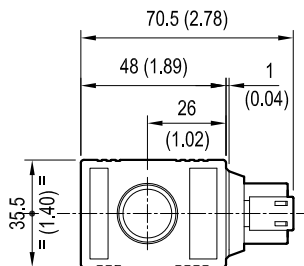
COIL S7 - CLASS H - 30 W

S7-H
DIN 43650-ISO 4400
IP54 / IP65



[mm / Inches]

S7-D
DEUTSCH DT04-2P
IP69K



[mm / Inches]

Preferred types (readily available)

Type	Material number
OD02070130OB02	R901090824
OD02070130OC02	R901090825
OD02072030OB02	R901094589
OD02072030OG02	R934000349

OD.02.07 - X - Y - Z - 02

TECHNICAL DATA

Weight: 0.33 kg (0.73 lbs)

Heat insulation Class H: 180°C (356°F)

Ambient temperature range: -30/+60°C (-22/+140°F)

Inlet voltage fluctuations must not exceed ±10% of nominal voltage to obtain correct operation and long life coils.

X	Y	Connections	Circuit	Voltage
01	30	DIN 43650 - ISO 4400	Standard	DC

Z	Voltage V	Resistance Ohm (±7%)	Power W	Current A		ΔT °C (°F) 1 hour energized at Ta=20-25°C (68-77°F) Nominal voltage
	Nominal	Ta = 20-25°C (68-77°F)	Cold coil	Cold coil	Hot coil	
OB	12 DC	4.8	30	2.5	1.8	120-140 (248-284)
OC	24 DC	18.8	30	1.2	0.9	

X	Y	Connections	Circuit	Voltage
20	30	DEUTSCH DT04-2P	Standard	DC
22	30	DEUTSCH DT04-2P	Bidirectionl Diode	DC

Z	Voltage V	Resistance Ohm (±7%)	Power W	Current A		ΔT °C (°F) 1 hour energized at Ta=20-25°C (68-77°F) Nominal voltage
	Nominal	Ta = 20-25°C (68-77°F)	Cold coil	Cold coil	Hot coil	
OB	12 DC	4.8	30	2.5	1.8	120-140 (248-284)
OG	14 DC	6.5	30	2.1	1.4	
OC	24 DC	18.8	30	1.2	0.9	

Available on request: different voltages, working duty Ed 50 %

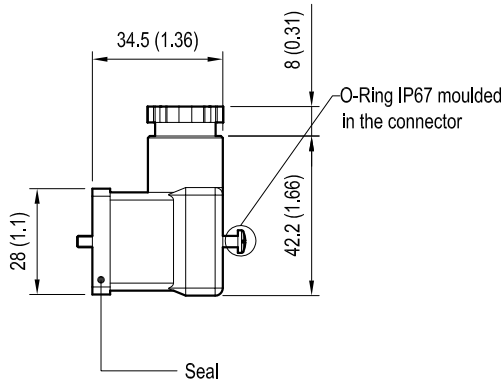
These coils have passed the THERMAL SHOCK DUNK TEST

Note: for general information see "Section 7 - Technical Data"

Further types available by request

Coils - Connectors

CONNECTOR IP67 - EN 175301-803-A (DIN 43650) / ISO 4400



[mm / Inches]

TECHNICAL DATA

Number of poles	2 + Earth	
Contact resistance	4	mΩ
Max. wire section area	1.5 mm ²	(0.06 inches ²)
Cable gland thread Pg 9	DIN 40430	
Tightening torque	3-4 Nm	(2.2-3.0 ft-lbs)
Cable diameter	6-8 mm	(0.24-0.31 inches)
Electrical insulation Class C	DIN VDE 0110	
Protection class IP67	DIN 40050 Part 9	
Only with protection seal properly mounted		

IMPORTANT: all products shown in this page are not available from stock and not included in our standard price list. Please contact our Sales Department for any information.

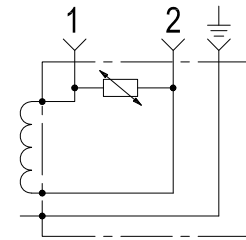
STANDARD CIRCUIT

OD.01.68.01.00.00.00

CIRCUIT WITH VDR

OD.01.68.07.00 - Y - 00

Y	VOLTAGE
OB	12 V DC
OC	24 V DC



Type	Material number
OD01680700OB00	R934003707
OD01680700OC00	R934003708

Further types available by request

CIRCUIT WITH FULL WAVE RECTIFIER

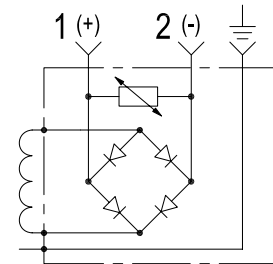
OD.01.68.02 - X - Y - 00

X	DIODE CURRENT CAPACITY	
00	3 A	suitable for all coils
01	1 A	only for S8-356 coils

Y	VOLTAGE	INLET	RECTIFIED
OW	110 RAC	110 V AC	98 V DC
OZ	220 RAC	220 V AC	196 V DC

Type	Material number
OD01680200OW00	R934003709
OD01680200OZ00	R934003710
OD01680201OW00	R934003711
OD01680201OZ00	R934003712

Further types available by request



Coils - Connectors

CONNECTOR IP67 - EN 175301-803-A (DIN 43650) / ISO 4400

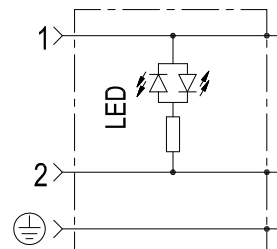
CIRCUIT WITH LED

OD.01.68.03.00 - Y - 00

Y	VOLTAGE	LED COLOR
OB	10 - 50 V ACDC	Red
OC	70 - 250 V ACDC	Red

Type	Material number
OD01680300OB00	R934003985
OD01680300OC00	R934003986

Further types available by request



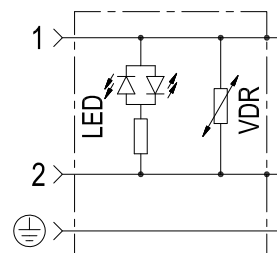
CIRCUIT WITH VDR + LED

OD.01.68.21.00 - Y - 00

Y	VOLTAGE	LED COLOR
OB	12 V ACDC	Red
OC	24 V ACDC	Red

Type	Material number
OD01682100OB00	R934003983
OD01682100OC00	R934003984

Further types available by request



CIRCUIT WITH VDR + LED + WAVE RECTIFIER

OD.01.68.19 - X - Y - Z

X	DIODE CURRENT CAPACITY
00	3 A
01	1 A

Y	VOLTAGE
OV	24 V AC
OW	110 V AC
OZ	220 V AC

Z	LED COLOR
00	Red
01	Green

Type	Material number
OD01681901OV01	R934003999
OD01681901OW00	R934004001
OD01681900OZ00	R934004000

Further types available by request

